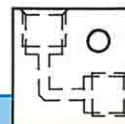
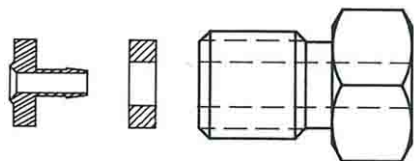


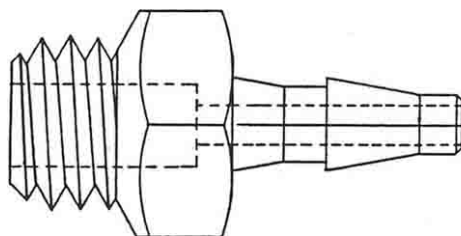
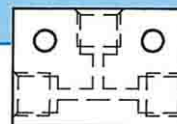
#NRF788B

Effective Date: July '98

NR RESEARCH[®] INCORPORATED



Accessory Bulletin



- * Barbed Fittings
- * Teflon[®]/Silicone Tubing
- * Teflon[®] Piping Manifolds
- * Teflon[®] Connectors
- * Inert Fitting Sets

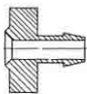

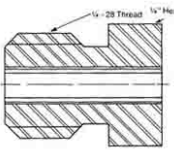
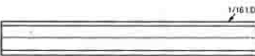
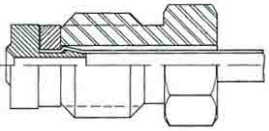
MOUNTING OPTIONS

Unique TRI-MOUNT feature enables the user to select one of three optional methods of mounting.



Integral or Special Mountings available at extra charge. Contact factory.

- a) Solenoid End Mounting — for accessibility of fittings, tubing and improved heat dissipation.
- b) Body Mounting.
- c) Side Mounting (with clip)

To order, add the appropriate letter a,b,c, (as above) to the ordering code as indicated on various pages in this catalog.

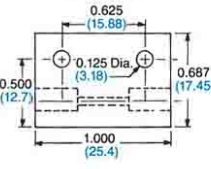
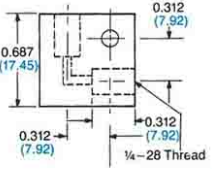
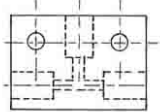
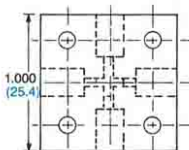
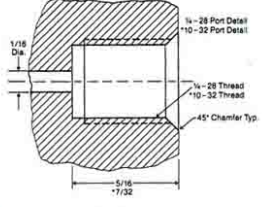
<h3>KEL-F-SEAL</h3>  <p>KS-1</p>	<h3>CLAMPING RING</h3>  <p>CR-1</p>	<h3>TFE NUT</h3>  <p>TN-1</p>	<h3>TUBING</h3> <p>Specify length of tubing desired (in inches)</p>  <p>Available as Single or Double Ended</p> <p>TT-1</p>	<h3>TUBING ASSEMBLY</h3>  <p>TA- 1 (Single End Fitting) 2 (Double End Fitting)</p>
--	---	---	---	--

BARB FITTINGS

 <p>1/16 Polypropylene 10-32</p>	 <p>1/8 Polypropylene 10-32</p>
---	---

(Metric Dimensions in Parenthesis)

CONNECTION FITTINGS

<h3>STRAIGHT</h3> <p>SC001</p> 	<h3>ELBOW</h3> <p>LC002</p> 	<h3>TEE</h3> <p>TC003</p> 	<h3>CROSS</h3> <p>CR004</p> 	<h3>PORT DETAIL</h3> 
--	--	--	---	--

COMPONENT CLIPS

A complete selection of clips available for various diameters. Many standard materials and finishes are carried in our inventory.

Contact factory for your specific needs.