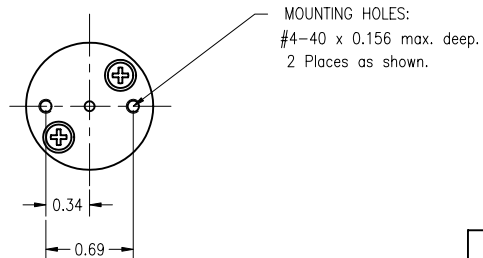
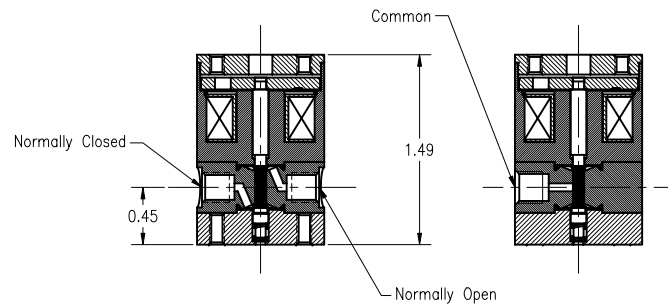
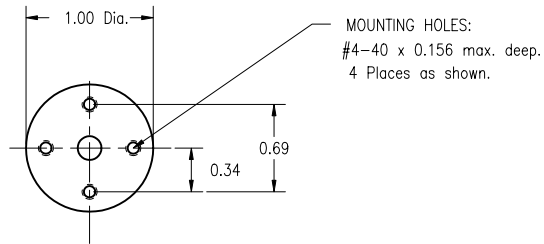


This drawing is NOT to be used for making reproductions thereof, or for making or using any apparatus, equipment, subject matter, or technical information without written authorization of Neptune Research and Development, Inc. All prints are to be returned to Neptune immediately upon completion of work.



SPECIFICATIONS:

Mechanical: (Each Port)

TYPE: 3w Diverter
 PORT CONNECTION: 1/4-28 Flat Bottom
 NOMINAL ORIFICE: 0.062 In. (1.5 mm)
 OPERATING PRESSURE: Vacuum to 30 PSI (2 Bars)
 TEST PRESSURE: 30 PSI N₂ (No leakage)
 INTERNAL VOLUME: 111 microliters form bottom of ports.
 WETTED MATERIALS: TEFLON®
 MOUNTING ORIENTATION: Any Position

Electrical: (At 70° C No Pressure)

OPERATING VOLTAGE: 24 VDC (continuous)
 24 to 48 volts subject to duty cycle and/or holding voltage applied.
 POWER CONSUMPTION: 1.5 watts/24VDC (approx.)
 LEAD WIRES: #26 AWG, TFE Insulated
 Blue 18 in. (457 mm) long.
 TEST VOLTAGE (ON): < 18 VDC
 TEST VOLTAGE (OFF): 1 to 8 VDC
 RESPONSE TIME (ON): 20ms Max. (24 VDC)
 5 to 20 ms subject to applied voltage and driving circuits.
 RESPONSE TIME (OFF): 30ms Max. (from 24 VDC)
 30 to 5 ms adjustable by driving circuits.

NOTE 1.)

Continuous rating applies to solenoid construction only. Since other materials incorporated in the product may not tolerate temperature variations as well as the solenoid application of holding voltage is strongly recommended.

NOTICE:

This product is protected by one or more of the following United States Patents: 4,496,133; 4,993,456; 5,143,118; Re. 34,261 5,433,244. Other Patents Pending.

UNLESS OTHERWISE SPECIFIED			Scale	1 : 1 (B)	Material	As noted	
Fractions	± 1/64	Break Sharp Edges	0.003-0.008	Dr. By	A. Sule	Date	07-09-1997
2 Pl. Dec.	± 0.005	All Small Fin. Radii	0.003-0.008	Checked		Approved	
3 Pl. Dec.	± 0.002	All surfaces shall be Concentric,		Part Name			
Angular	± 0.06°	Parallel, Flat, Square and True		225T032	3w	24 Vdc	Drawing Number
All Fin. Surf.		to Each Other within 0.001 T.I.R.					225V268

NR RESEARCH
INCORPORATED