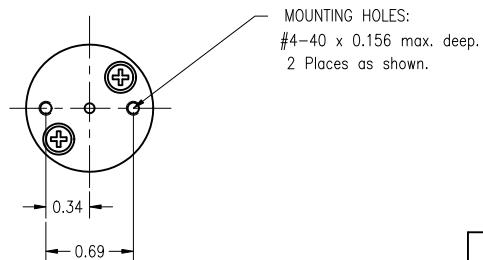
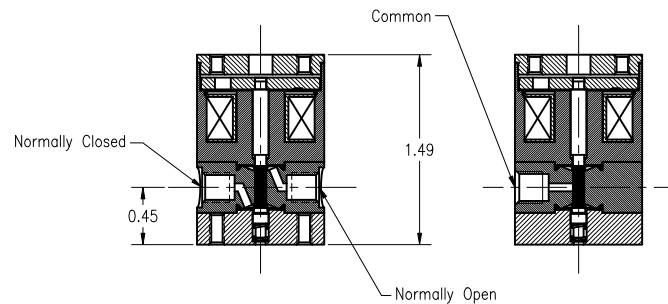
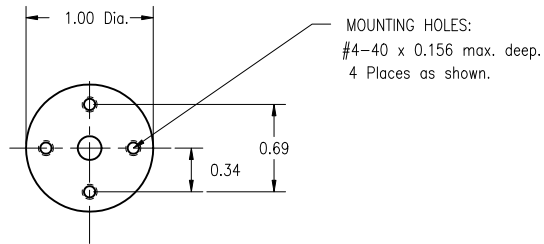


This drawing is NOT to be used for making reproductions thereof, or for making or using any apparatus, equipment, subject matter, or technical information without written authorization of Neptune Research and Development, Inc. All prints are to be returned to Neptune immediately upon completion of work.



## SPECIFICATIONS:

### Mechanical: (Each Port)

TYPE:	3w Diverter
PORT CONNECTION:	1/4-28 Flat Bottom
NOMINAL ORIFICE:	0.062 In, (1.5 mm)
OPERATING PRESSURE:	Vacuum to 100 PSI (6.89 Bars)
TEST PRESSURE:	100 PSI N <sub>2</sub> (Less than 3µl/Min. Leakage.)
INTERNAL VOLUME:	57.17 µl From bottom of ports.
WETTED MATERIALS:	PTFE diaphragm and PEEK body
MOUNTING ORIENTATION:	Any Position

### Electrical: At 70° F (No Pressure Applied)

OPERATING VOLTAGE:	12 VDC for 0.1 sec. then hold at 4 VDC 12 to 24 volts subject to duty cycle and/or holding voltage applied.
POWER CONSUMPTION:	6.26 Watts at 12VDC (approximately)
LEAD WIRES:	#26 AWG, TFE Insulated White 6 inches (152 mm) long. 1x Molex 50-57-9406 4x Molex 16-02-0096 (2 pins connected w/ loop) Black PVC sleeve and Shrink Label
TEST VOLTAGE (ON):	< 9 VDC
TEST VOLTAGE (OFF):	0.5 to 4 VDC
RESPONSE TIME (ON):	20ms Max. (at 12 VDC) 5 to 20 ms subject to applied voltage and driving circuits.
RESPONSE TIME (OFF):	30ms Max. (from 12 VDC) 30 to 5 ms adjustable by driving circuits.

#### NOTE 1.)

Continuous rating applies to solenoid construction only. Since other materials incorporated in the product may not tolerate temperature variations as well as the solenoid application of holding voltage is strongly recommended.

#### NOTICE:

This product is protected by one or more of the following United States Patents: 4,496,133; 4,993,456; 5,143,118; Re. 34,261 5,433,244. Other Patents Pending.

UNLESS OTHERWISE SPECIFIED		Scale	Material
Fractions	± 1/64	1 : 1 (B)	As noted
2 Pl. Dec.	± 0.005	Dr. By F. Tarnok	Date 02-24-2012
3 Pl. Dec.	± 0.002	Checked	Approved
Angular	± 0.06°	Part Name	Drawing Number
All Fin. Surf.		DC809050 3w 12VDC HP	

